

CE Information for the DASCard-232/422/485

Note: Products that contain the CE mark are certified to meet European EMC directive 89/336 EEC. If this directive is not of importance to your application, please disregard the information in this document.

Keithley MetraByte certifies that this product has been tested and found to be in compliance with the EMC directive and relevant harmonized standards.

This document describes the limitation of certification, the declaration of conformity, and the cabling instructions required for the CE configuration.

Limitation of Certification

This certification applies only to the operation of the product (with specified cables and accessories) in the stated configuration and under the stated operational and environmental specifications. Any modification, misuse, or improper or inadequate maintenance of the product by the user voids this certification.

Any deviation from the specific configuration may cause emissions or susceptibility not within the allowed limits required by the stated directive. It is the user's responsibility to demonstrate and maintain compliance with the directive and standards.



Please read the next section, "Declaration of Conformity," for the specific testing configuration for this product. Consult the Keithley Instruments GMBH office (European importer) or Technical Support in Taunton, MA, USA, for further information regarding the exact configuration details and testing.

Declaration of Conformity

Application of Council Directive(s) 89/336/EEC
Standard(s) to which Conformity is Declared EN50081-1, EN50082-1
Manufacturer's Name Keithley MetraByte
Importer's Name Keithley Instruments GMBH
Importer's Address Landsberger Str.65 D-82110 Germering, Munich
Type of Equipment Data Acquisition Plug-in Boards
Model Numbers DASCARD-232 with DASCARD-232 cable or
DASCARD-422/485 with DASCARD-422/485 cable
Year of Manufacture 1996

I, the undersigned, hereby declare that the equipment specified above conforms to the above Directive(s) and Standard(s).

Place: Taunton, MA USA



(Signature)

Date: 01 April 1996

Mark Urban
(Name)

Quality Assurance Manager
(Position)

Cabling Instructions for the CE Configuration

Connect a serial device to the DASCARD-232 card using the supplied DASCARD-232 cable, as shown in Figure 1.

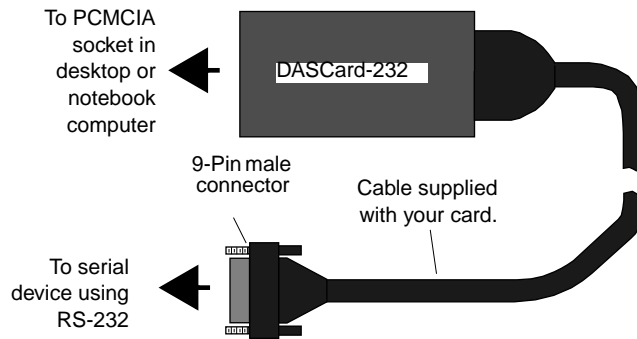


Figure 1. Connecting a Device to the DASCARD-232

Connect a serial device to the DASCARD-422/485 card using the supplied DASCARD-422/485 cable, as shown in Figure 2.

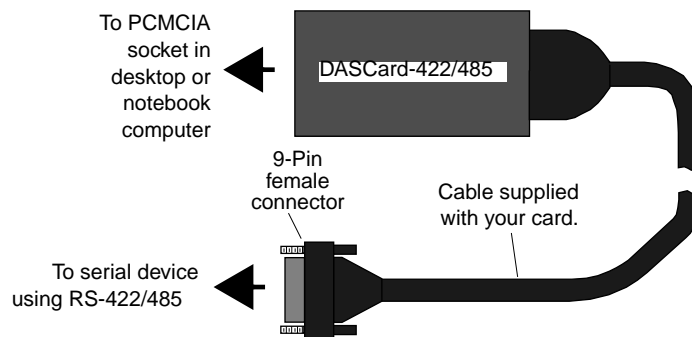


Figure 2. Connecting a Device to a DASCARD-422/485

To complete the CE configuration for the DASCARD-232/422/485, perform the following steps:

1. Position the supplied ferrite clip about 1/2-inch from the end of the cable connector attached to the DASCARD-232/422/485 card, as shown in Figure 3.
2. Snap the ferrite clip to the cable.

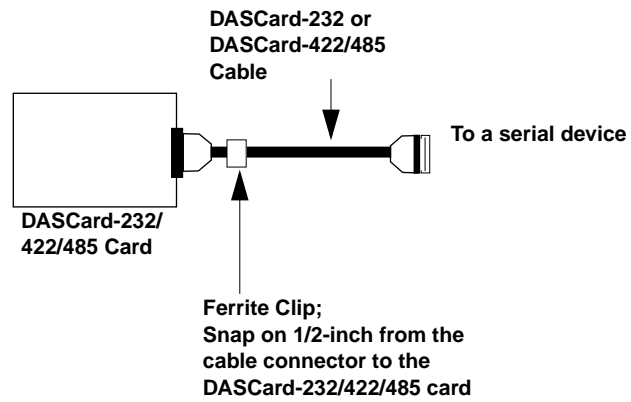


Figure 3. Snapping on the Ferrite Clip